

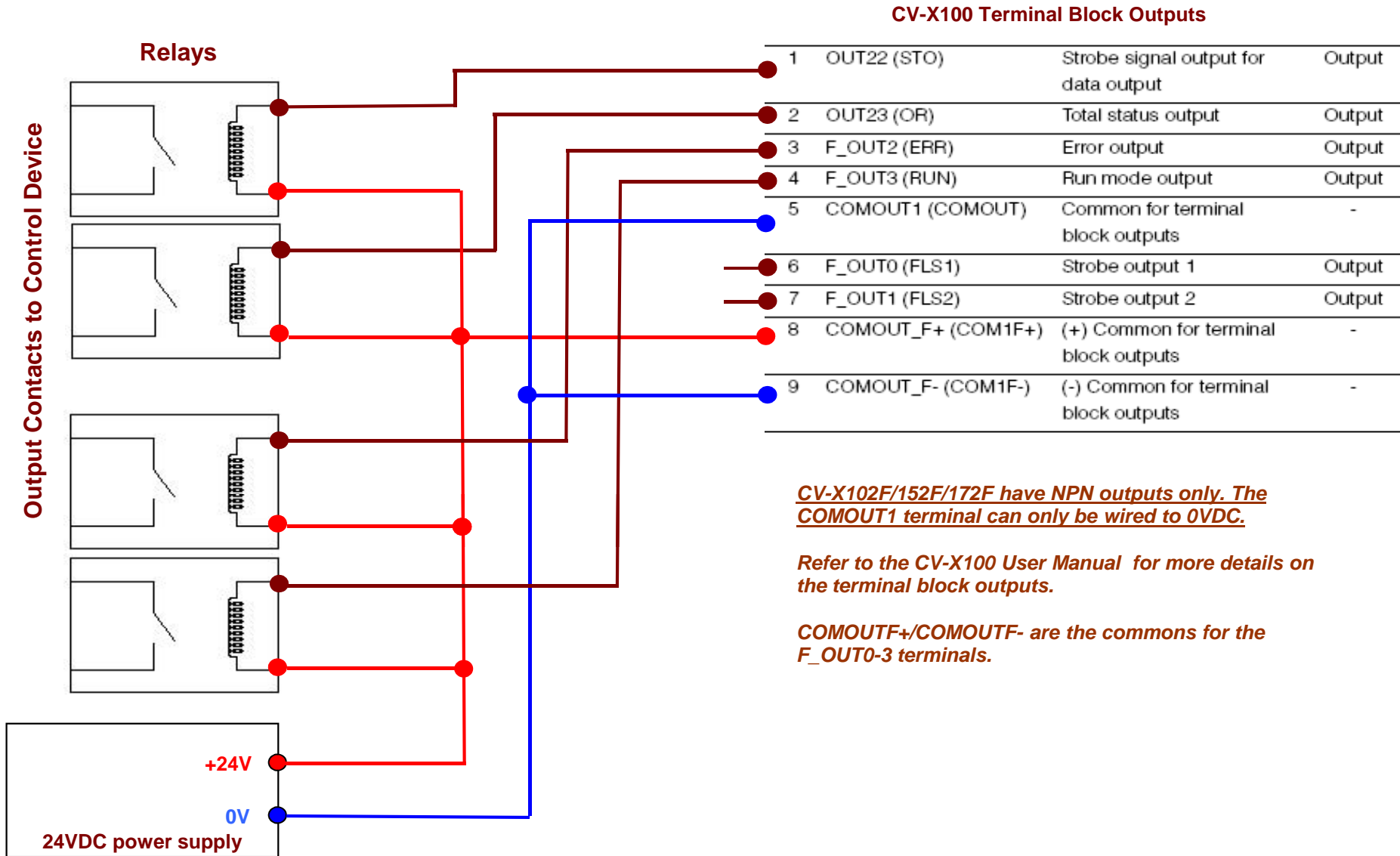


CV-X Series Tech Guide

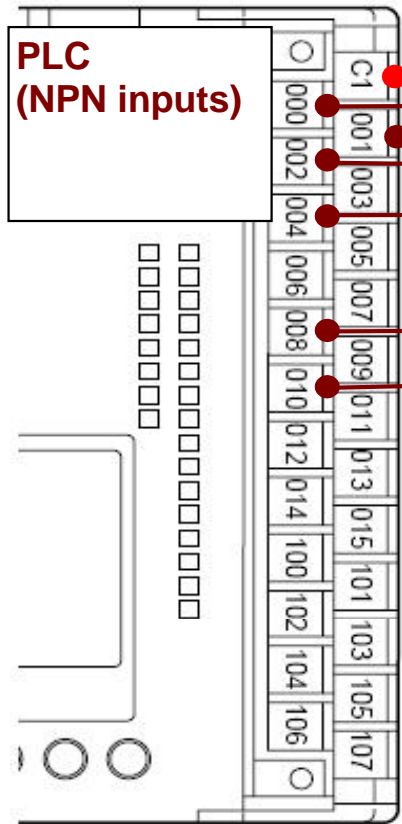
NPN Type Controller Wiring Examples



CV-X102F/X152F/X172F - Wiring Terminal Block Outputs to Relays



CV-X102F/X152F/X172F - Wiring Terminal Block Outputs to PLC



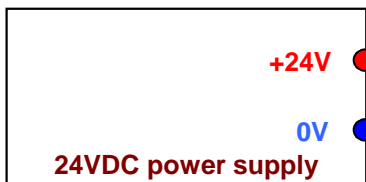
CV-X100 Terminal Block Outputs

1	OUT22 (STO)	Strobe signal output for data output	Output
2	OUT23 (OR)	Total status output	Output
3	F_OUT2 (ERR)	Error output	Output
4	F_OUT3 (RUN)	Run mode output	Output
5	COMOUT1 (COMOUT)	Common for terminal block outputs	-
6	F_OUT0 (FLS1)	Strobe output 1	Output
7	F_OUT1 (FLS2)	Strobe output 2	Output
8	COMOUT_F+ (COM1F+)	(+) Common for terminal block outputs	-
9	COMOUT_F- (COM1F-)	(-) Common for terminal block outputs	-

CV-X102F/152F/172F have NPN outputs only. The COMOUT1 terminal can only be wired to 0VDC.

Refer to the CV-X100 User Manual for more details on the terminal block outputs.

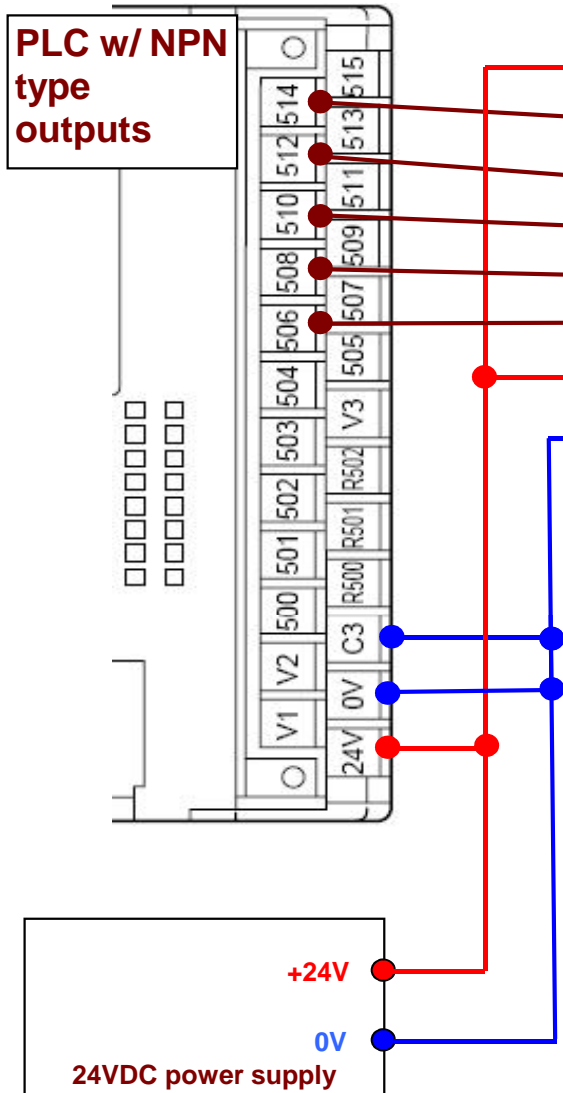
COMOUTF+/COMOUTF- are the commons for the F_OUT0-3 terminals.



CV-X102F/X152F/X172F - Wiring Terminal Block Inputs to PLC with NPN outputs

CV-X100 Terminal Block Inputs

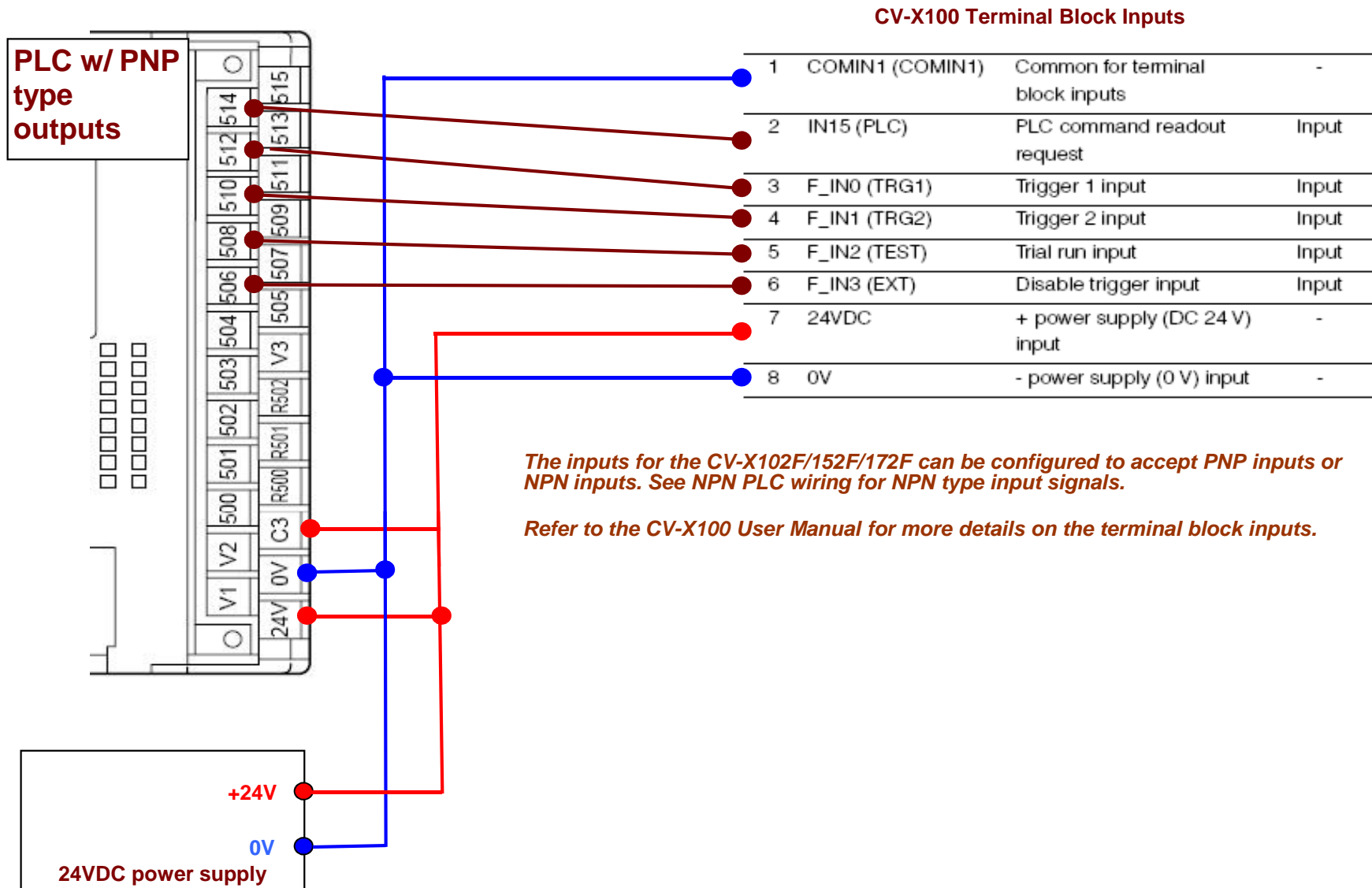
1	COMIN1 (COMIN1)	Common for terminal block inputs	-
2	IN15 (PLC)	PLC command readout request	Input
3	F_IN0 (TRG1)	Trigger 1 input	Input
4	F_IN1 (TRG2)	Trigger 2 input	Input
5	F_IN2 (TEST)	Trial run input	Input
6	F_IN3 (EXT)	Disable trigger input	Input
7	24VDC	+ power supply (DC 24 V) input	-
8	0V	- power supply (0 V) input	-



The inputs for the CV-X102F/152F/172F can be configured to accept PNP inputs or NPN inputs. See NPN PLC wiring for NPN type input signals.

Refer to the CV-X100 User Manual for more details on the terminal block inputs.

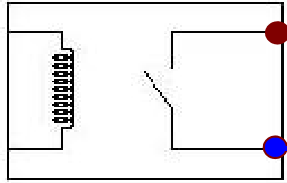
CV-X102F/X152F/X172F - Wiring Terminal Block Inputs to PLC with PNP outputs



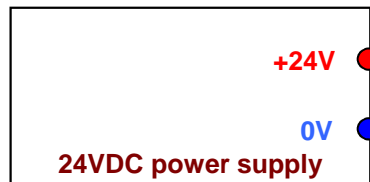
CV-X102F/152F/172F - Wiring Dry Contact (NPN outputs) to Terminal Block Inputs

CV-X100 Terminal Block Inputs

1	COMIN1 (COMIN1)	Common for terminal block inputs	-
2	IN15 (PLC)	PLC command readout	Input request
3	F_IN0 (TRG1)	Trigger 1 input	Input
4	F_IN1 (TRG2)	Trigger 2 input	Input
5	F_IN2 (TEST)	Trial run input	Input
6	F_IN3 (EXT)	Disable trigger input	Input
7	24VDC	+ power supply (DC 24 V) input	-
8	0V	- power supply (0 V) input	-



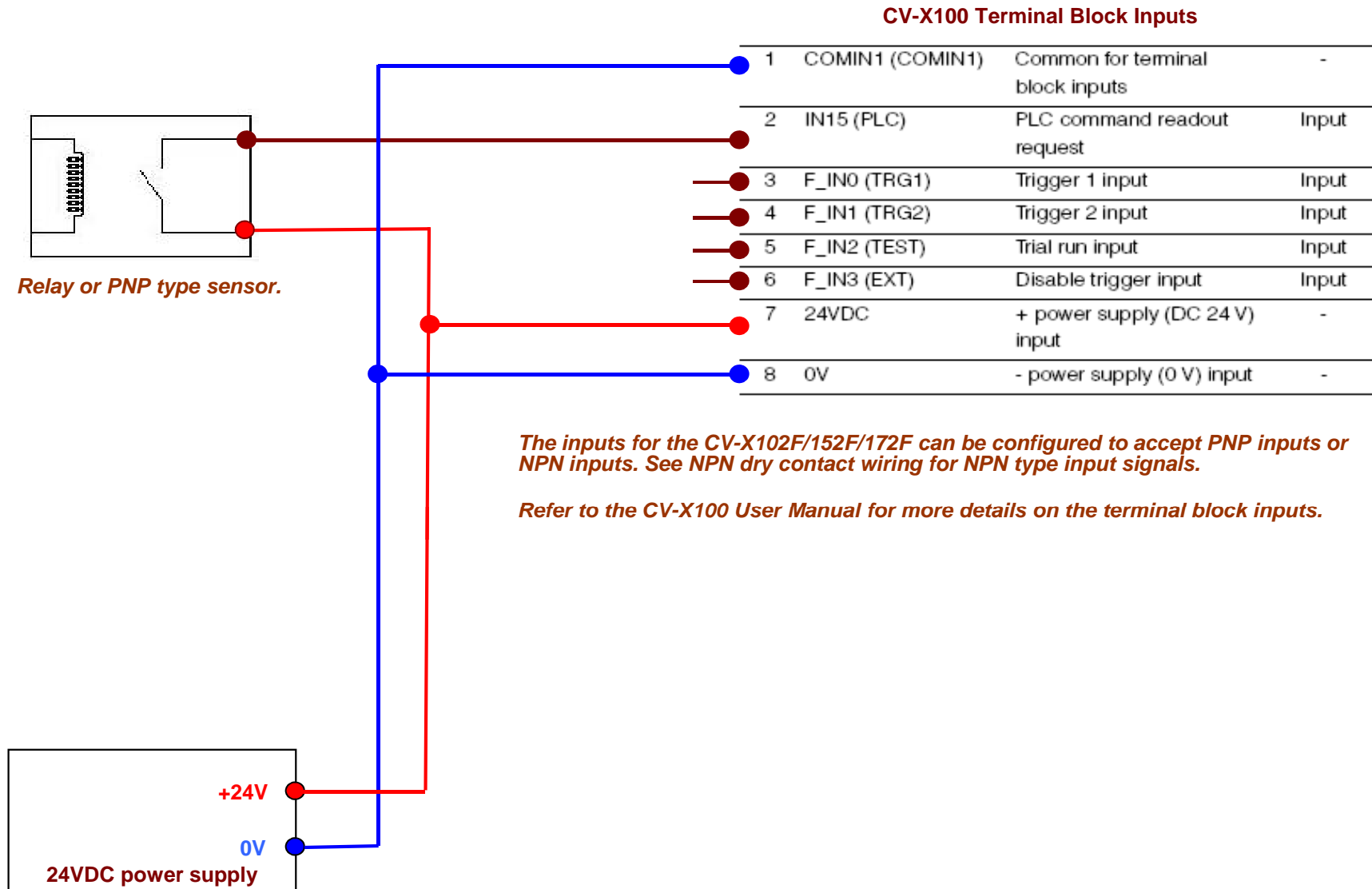
Relay or NPN type sensor.



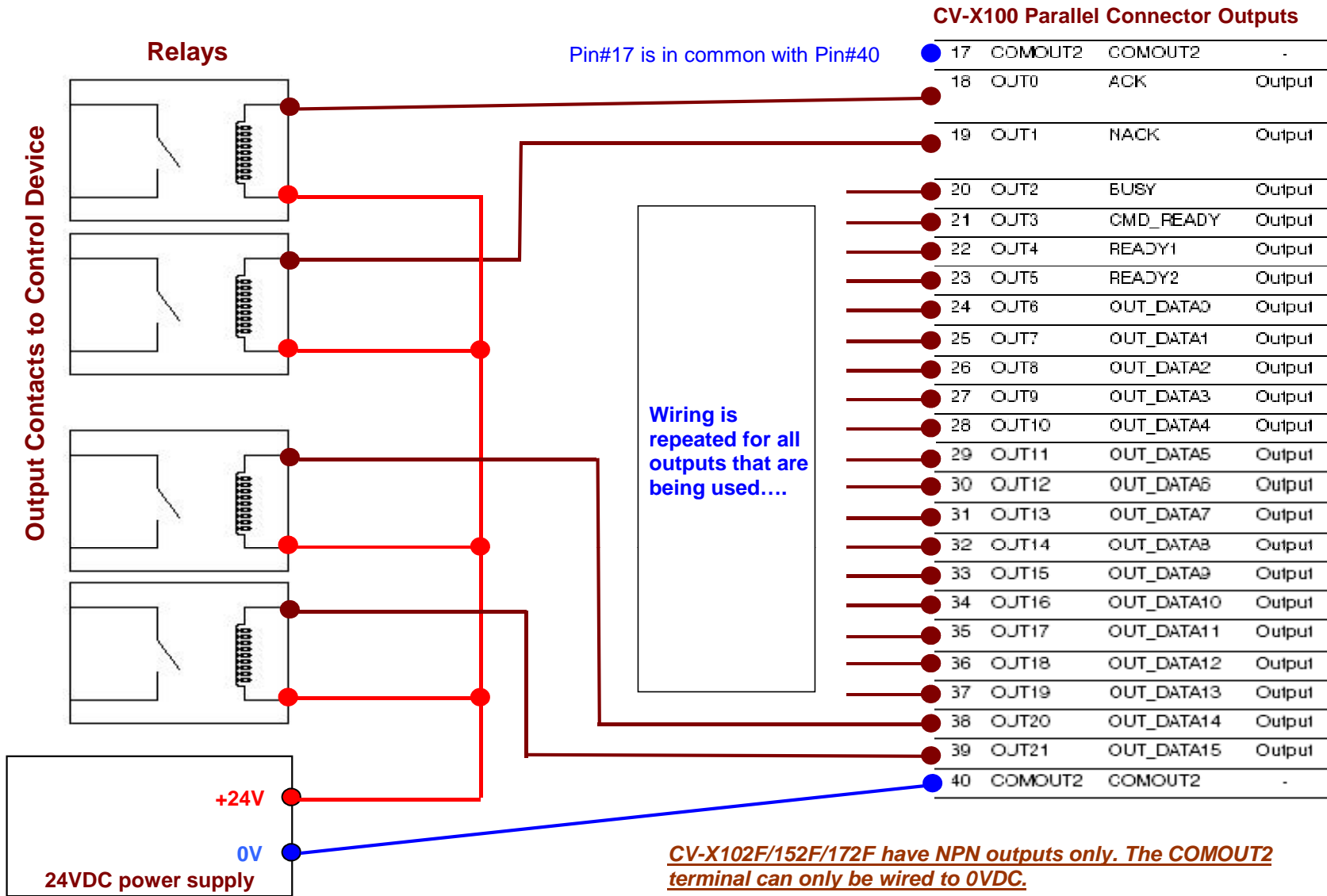
The inputs for the CV-X102F/152F/172F can be configured to accept NPN inputs or PNP inputs. See PNP dry contact wiring for PNP type input signals.

Refer to the CV-X100 User Manual for more details on the terminal block inputs.

CV-X102F/152F/172F - Wiring Dry Contact (PNP outputs) to Terminal Block Inputs

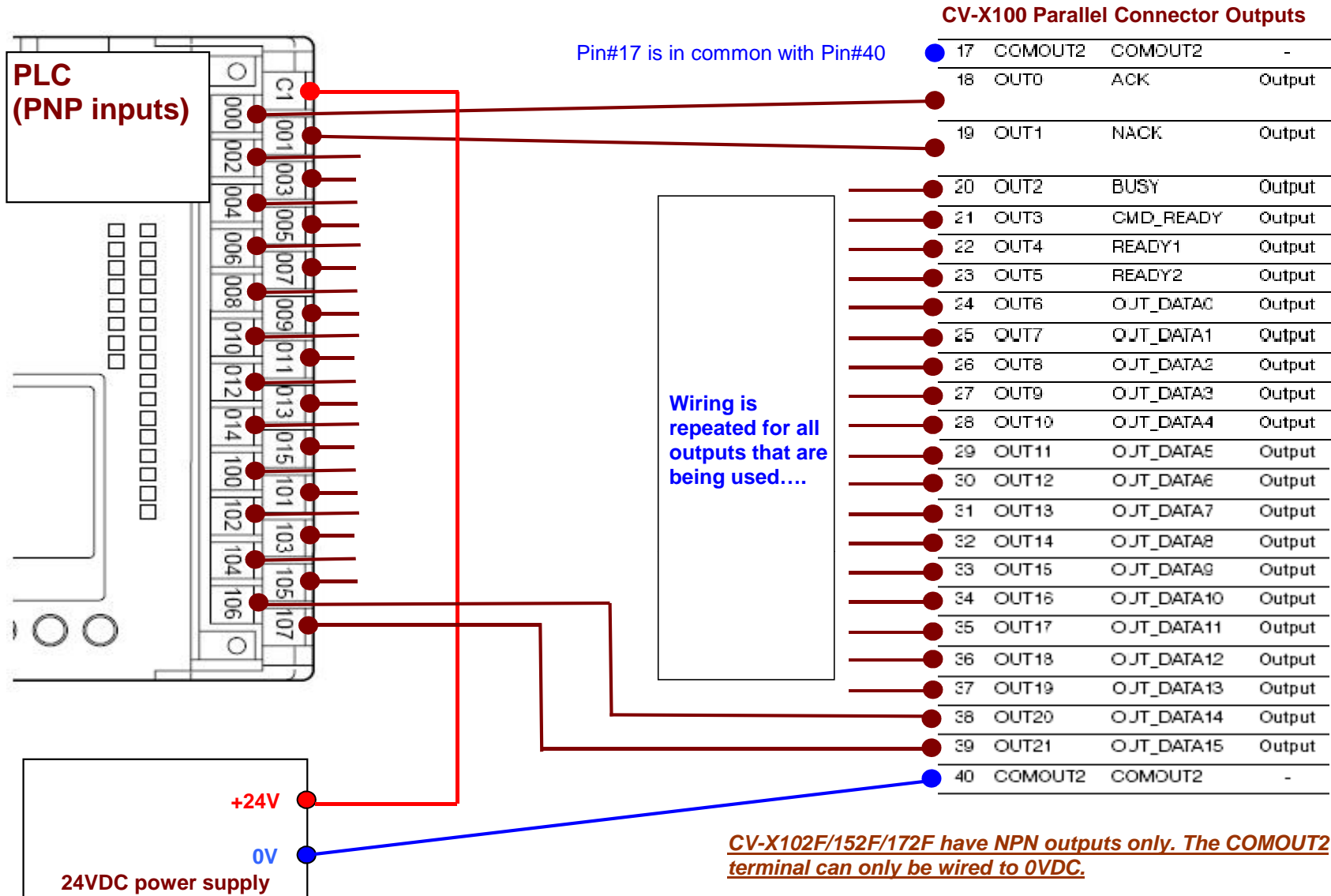


CV-X102F/X152F/X172F - Wiring Parallel Connector Outputs to Relays

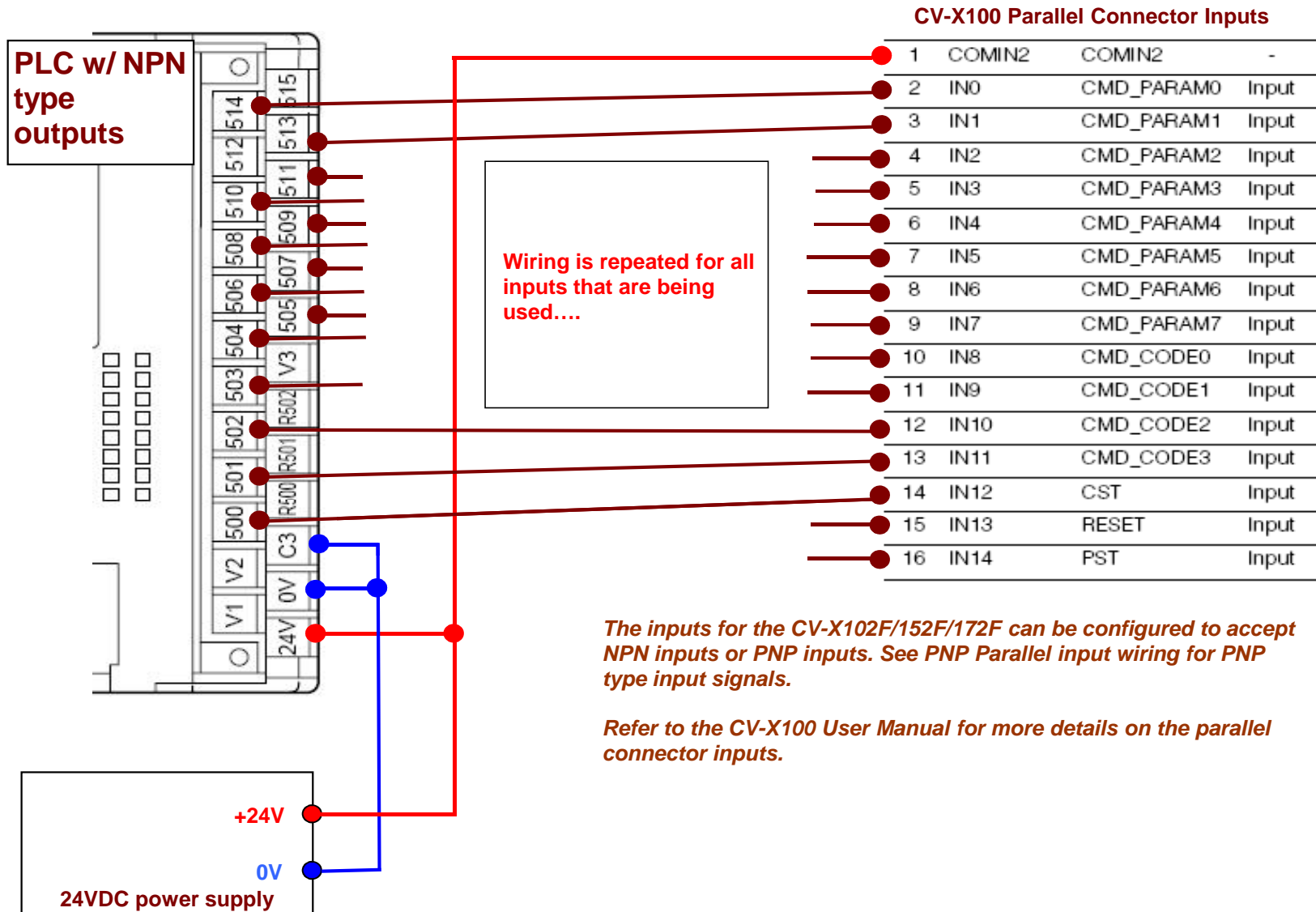


Refer to the CV-X100 User Manual for more details on the terminal block outputs.

CV-X102F/X152F/X172F - Wiring Parallel Connector Outputs to a PLC



CV-X102F/X152F/X172F - Wiring Parallel Connector Inputs to a PLC with NPN Outputs



CV-X102F/X152F/X172F - Wiring Parallel Connector Inputs to a PLC with PNP Outputs

