

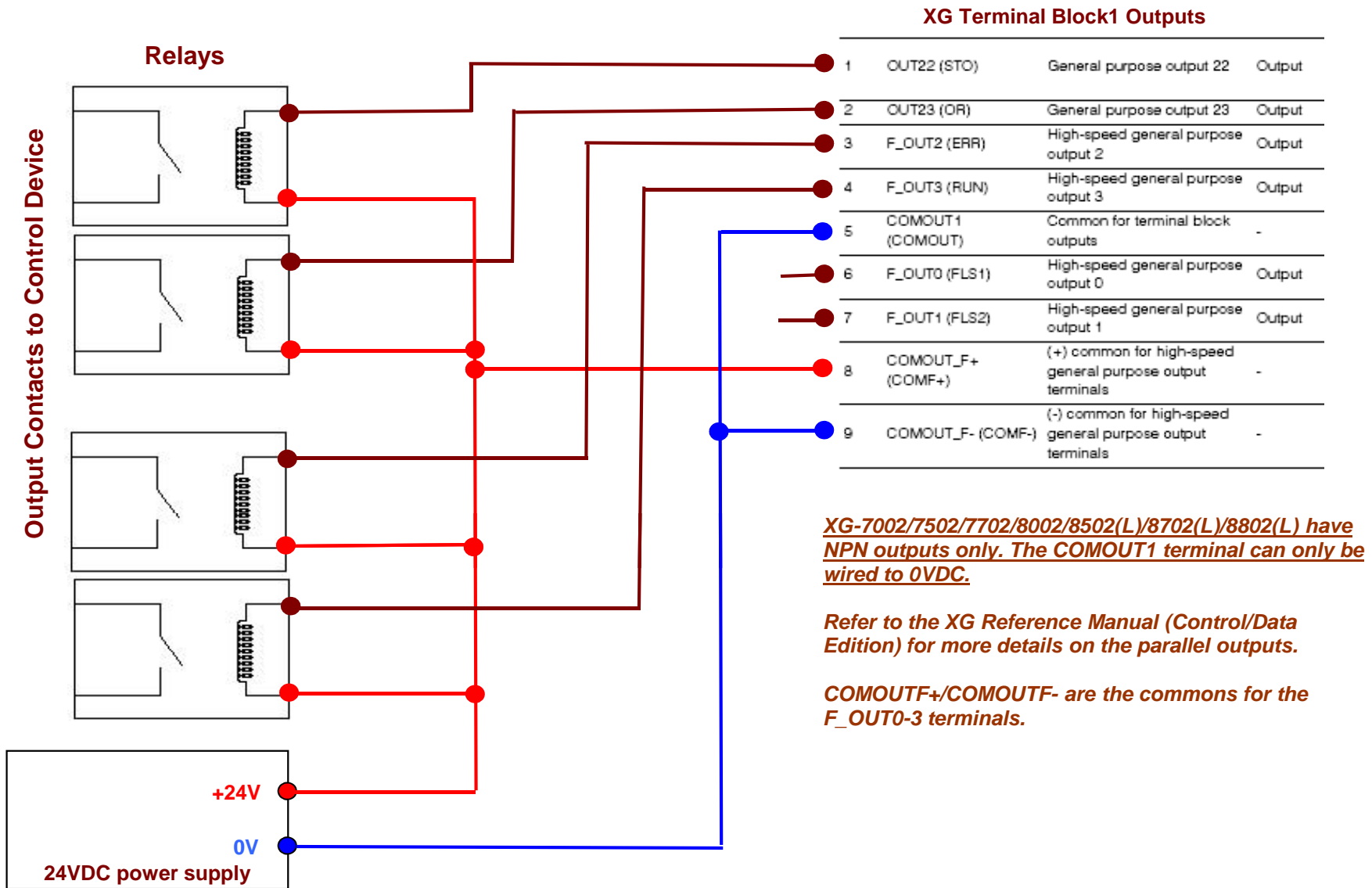


XG-Series Tech Guide

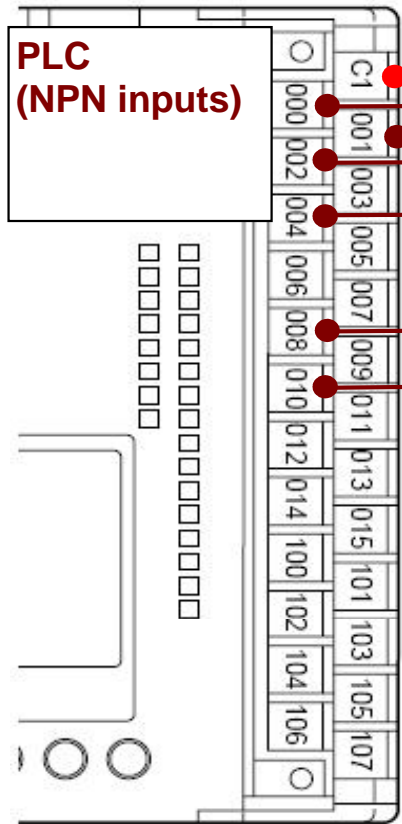
NPN Controller Wiring Examples



XG-7002/7502/7702/8002/8502(L)/8702(L)/8802(L) - Wiring Terminal Block1 Outputs to Relays

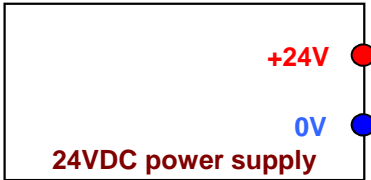


XG-7002/7502/7702/8002/8502(L)/8702(L)/8802(L) - Wiring Terminal Block1 Outputs to PLC



XG Terminal Block1 Outputs

1	OUT22 (STO)	General purpose output 22	Output
2	OUT23 (OR)	General purpose output 23	Output
3	F_OUT2 (ERR)	High-speed general purpose output 2	Output
4	F_OUT3 (RUN)	High-speed general purpose output 3	Output
5	COMOUT1 (COMOUT)	Common for terminal block outputs	-
6	F_OUT0 (FLS1)	High-speed general purpose output 0	Output
7	F_OUT1 (FLS2)	High-speed general purpose output 1	Output
8	COMOUT_F+ (COMF+)	(+) common for high-speed general purpose output terminals	-
9	COMOUT_F- (COMF-)	(-) common for high-speed general purpose output terminals	-

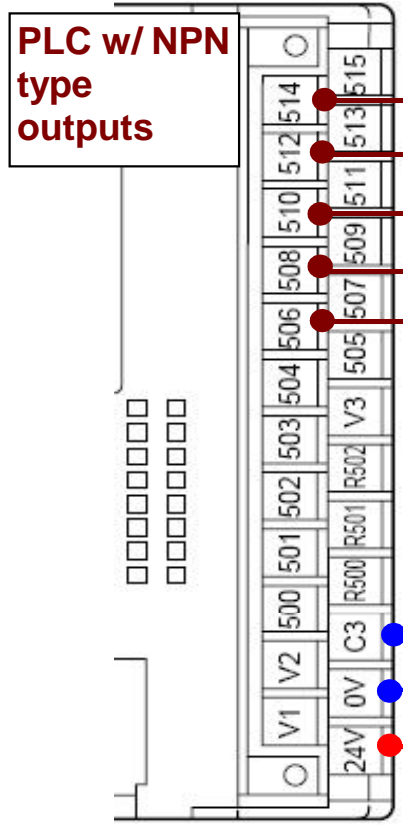


XG-7002/7502/7702/8002/8502(L)/8702(L)/8802(L) have NPN outputs only. The COMOUT1 terminal can only be wired to 0VDC.

Refer to the XG Reference Manual (Control/Data Edition) for more details on the parallel outputs.

COMOUTF+/COMOUTF- are the commons for the F_OUT0-3 terminals.

Wiring NPN PLC Outputs to XG-7002/7502/7702/8002/8502(L)/8702(L)/8802(L) Terminal Block1 Inputs

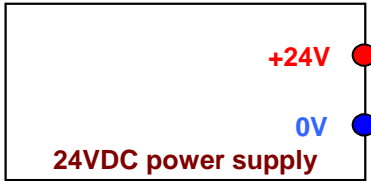


XG Terminal Block1 Connector Inputs

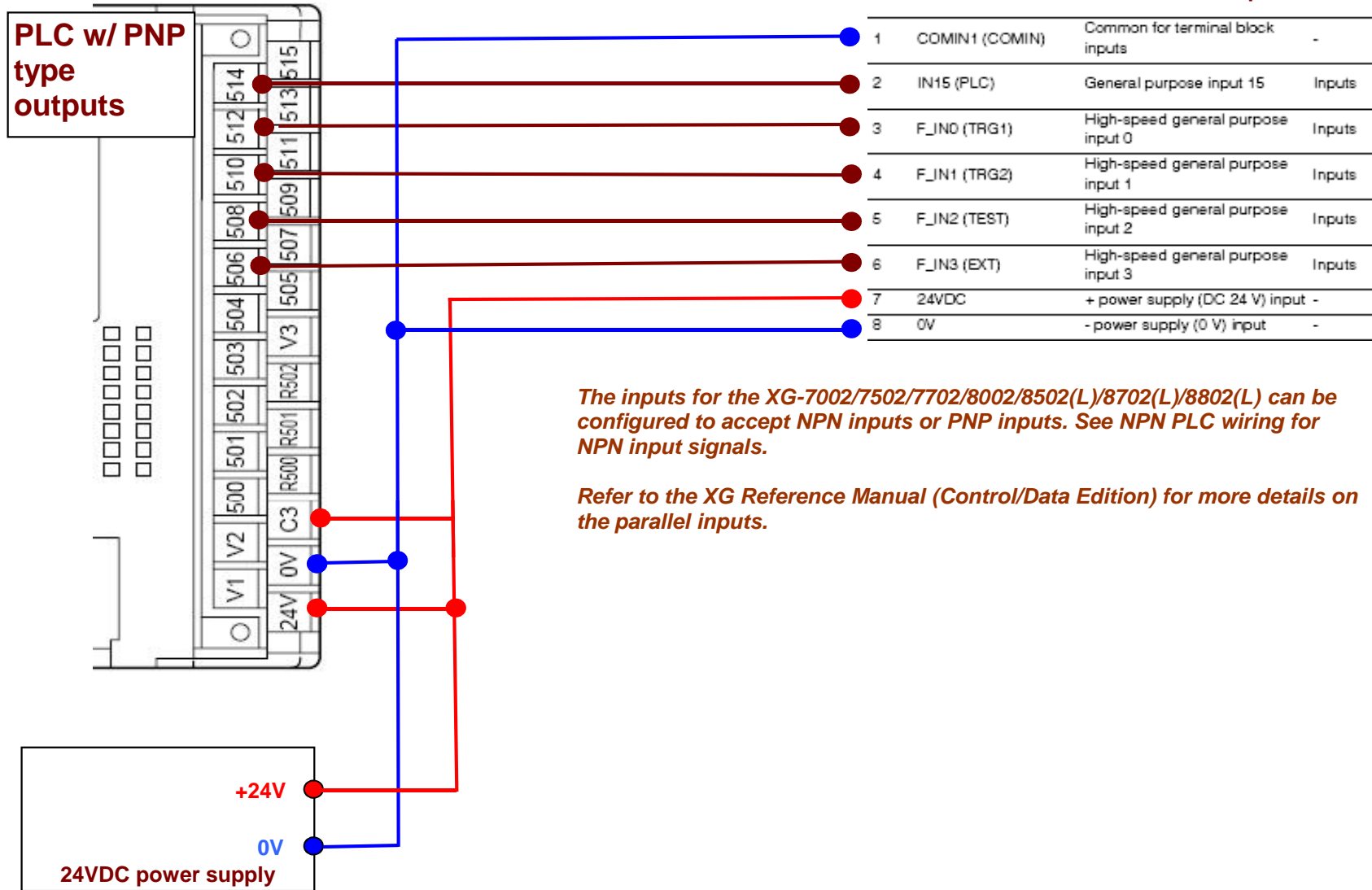
1	COMIN1 (COMIN)	Common for terminal block inputs	-
2	IN15 (PLC)	General purpose input 15	Inputs
3	F_IN0 (TRG1)	High-speed general purpose input 0	Inputs
4	F_IN1 (TRG2)	High-speed general purpose input 1	Inputs
5	F_IN2 (TEST)	High-speed general purpose input 2	Inputs
6	F_IN3 (EXT)	High-speed general purpose input 3	Inputs
7	24VDC	+ power supply (DC 24 V) input	-
8	0V	- power supply (0 V) input	-

The inputs for the XG-7002/7502/7702/8002/8502(L)/8702(L)/8802(L) can be configured to accept NPN inputs or PNP inputs. See PNP PLC wiring for PNP input signals.

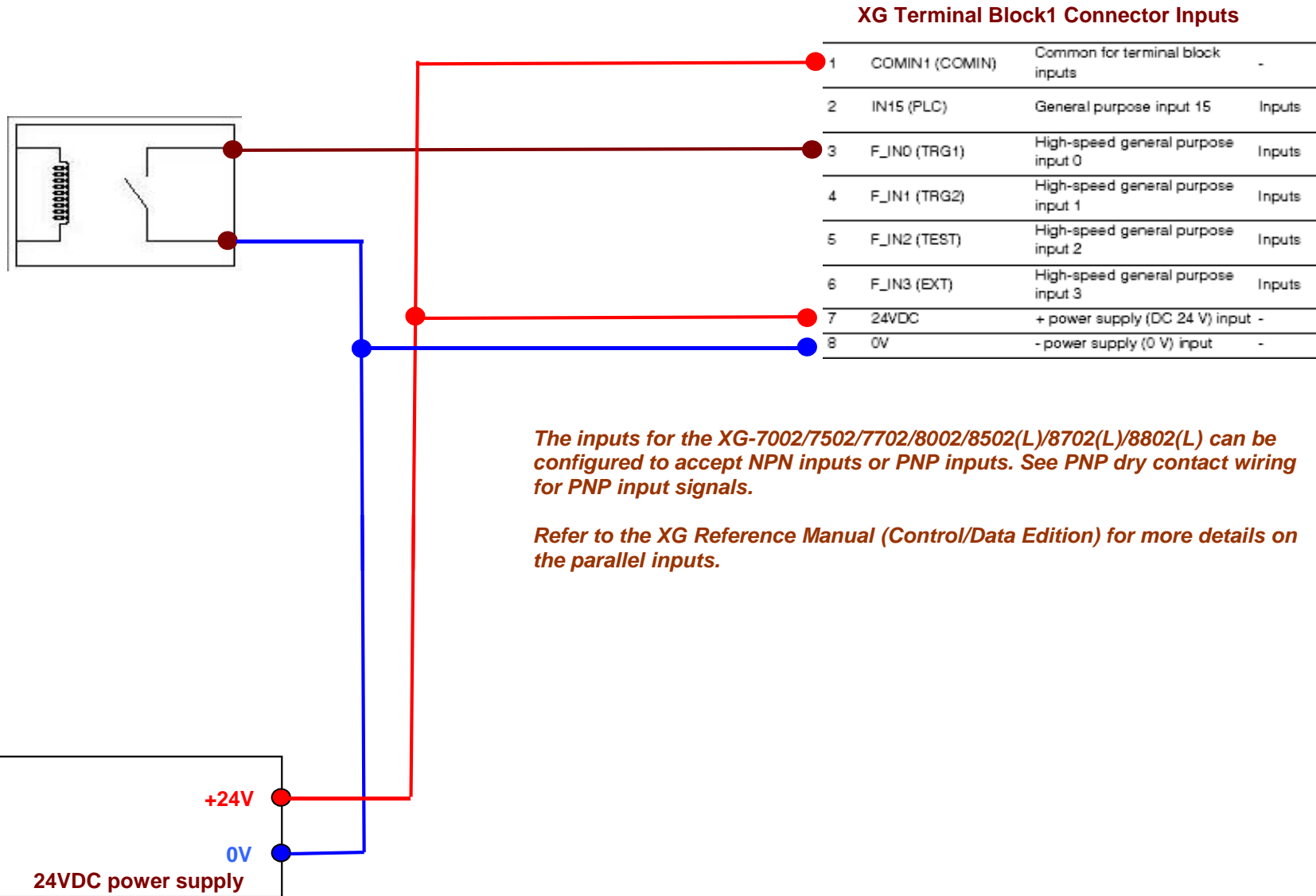
Refer to the XG Reference Manual (Control/Data Edition) for more details on the parallel inputs.



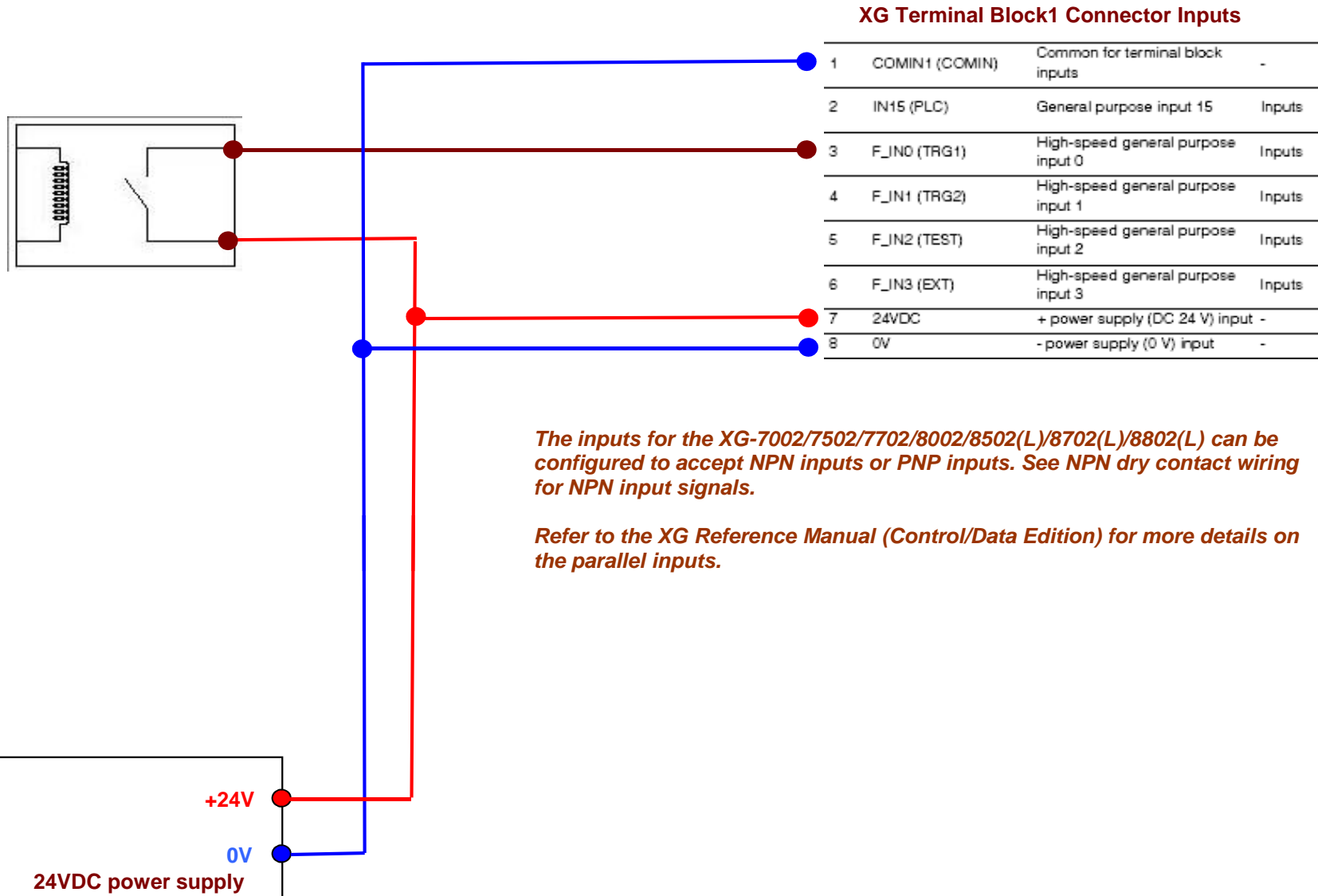
Wiring PNP PLC Outputs to XG-7002/7502/7702/8002/8502(L)/8702(L)/8802(L) Terminal Block1 Inputs



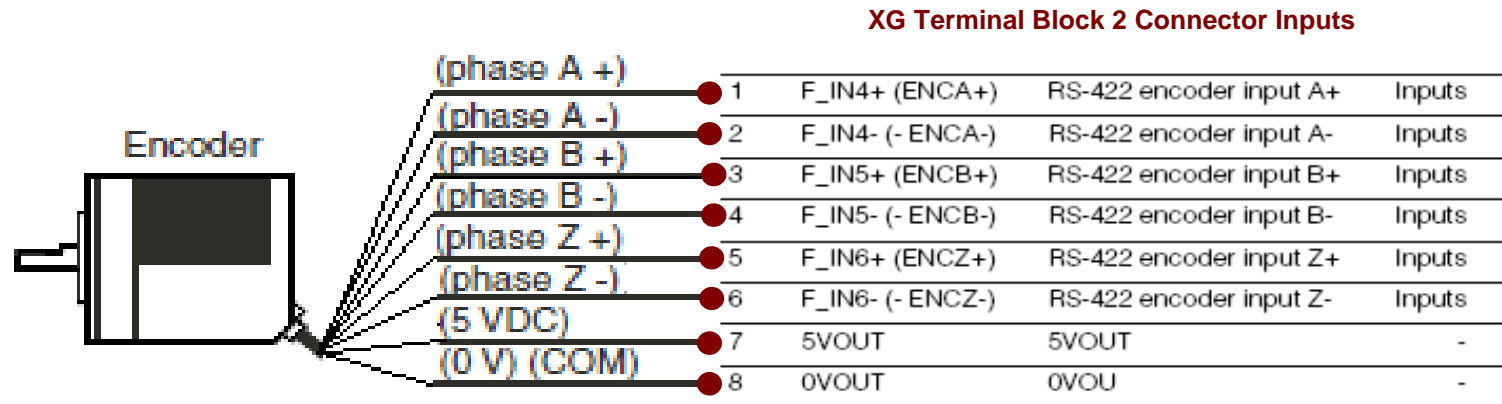
Wiring Dry Contact (NPN) to XG-7002/7502/7702/8002/8502(L)/8702(L)/8802(L) Terminal Block1 Inputs



Wiring Dry Contact (PNP) to XG-7002/7502/7702/8002/8502(L)/8702(L)/8802(L) Terminal Block1 Inputs



Wiring Input Terminal Block2 - XG-8502L/8702L/8802L Only

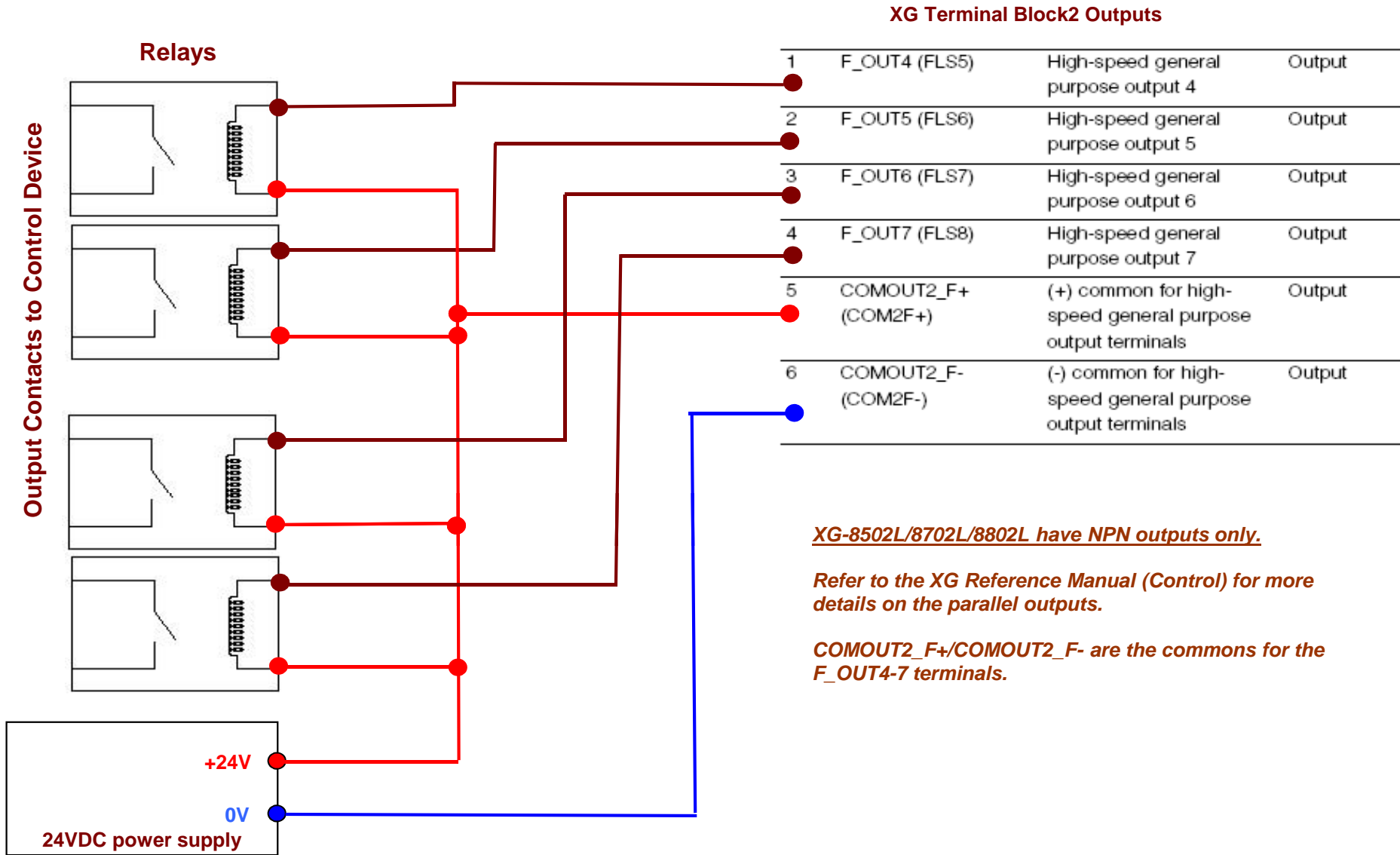


Terminal Block Input2 is a dedicated input block for a RS-422 Line Driver encoder only. These terminals cannot be re-assigned to any other purpose.

The wiring colors depend on the brand of encoder being used. Consult the specification for the encoder to confirm the details.

The 5VDC output is limited to 150mA maximum. If more current is required, use an external 5VDC power supply for the encoder. Be sure to connect the encoder shield to F.G.

XG-8502L/8702L/8802L - Wiring Terminal Block2 Outputs to Relays

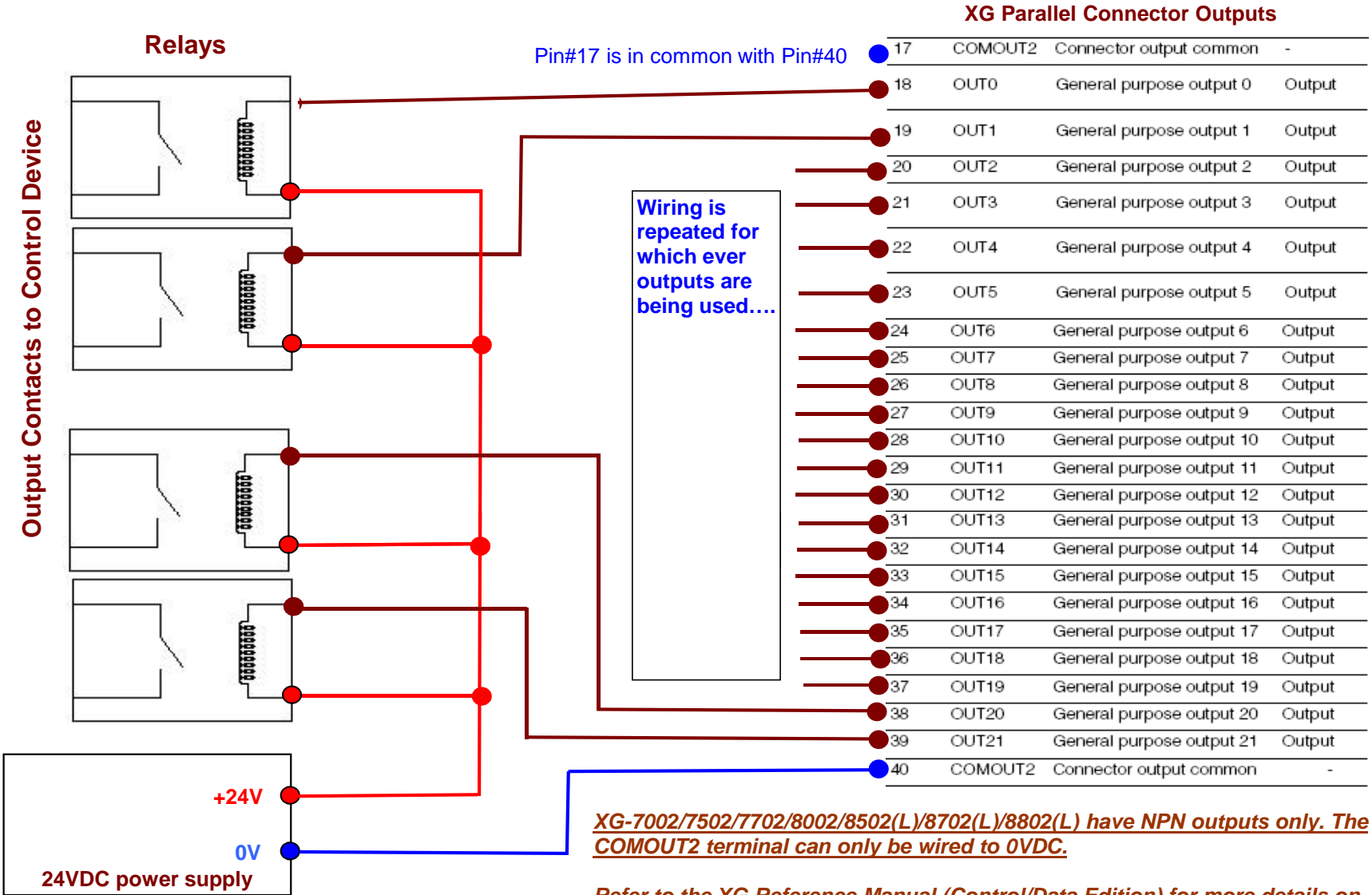


XG-8502L/8702L/8802L have NPN outputs only.

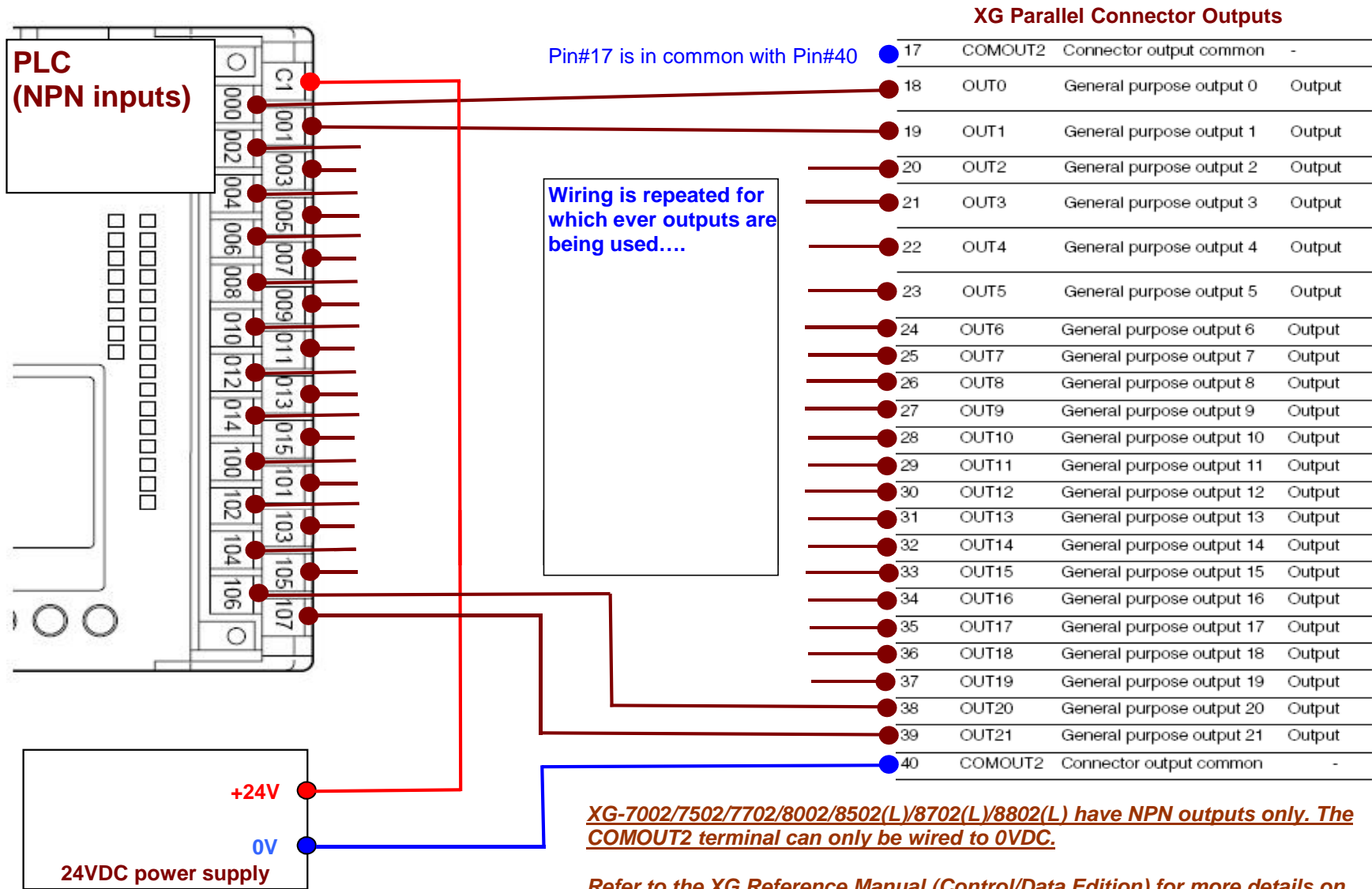
Refer to the XG Reference Manual (Control) for more details on the parallel outputs.

COMOUT2_F+/COMOUT2_F- are the commons for the F_OUT4-7 terminals.

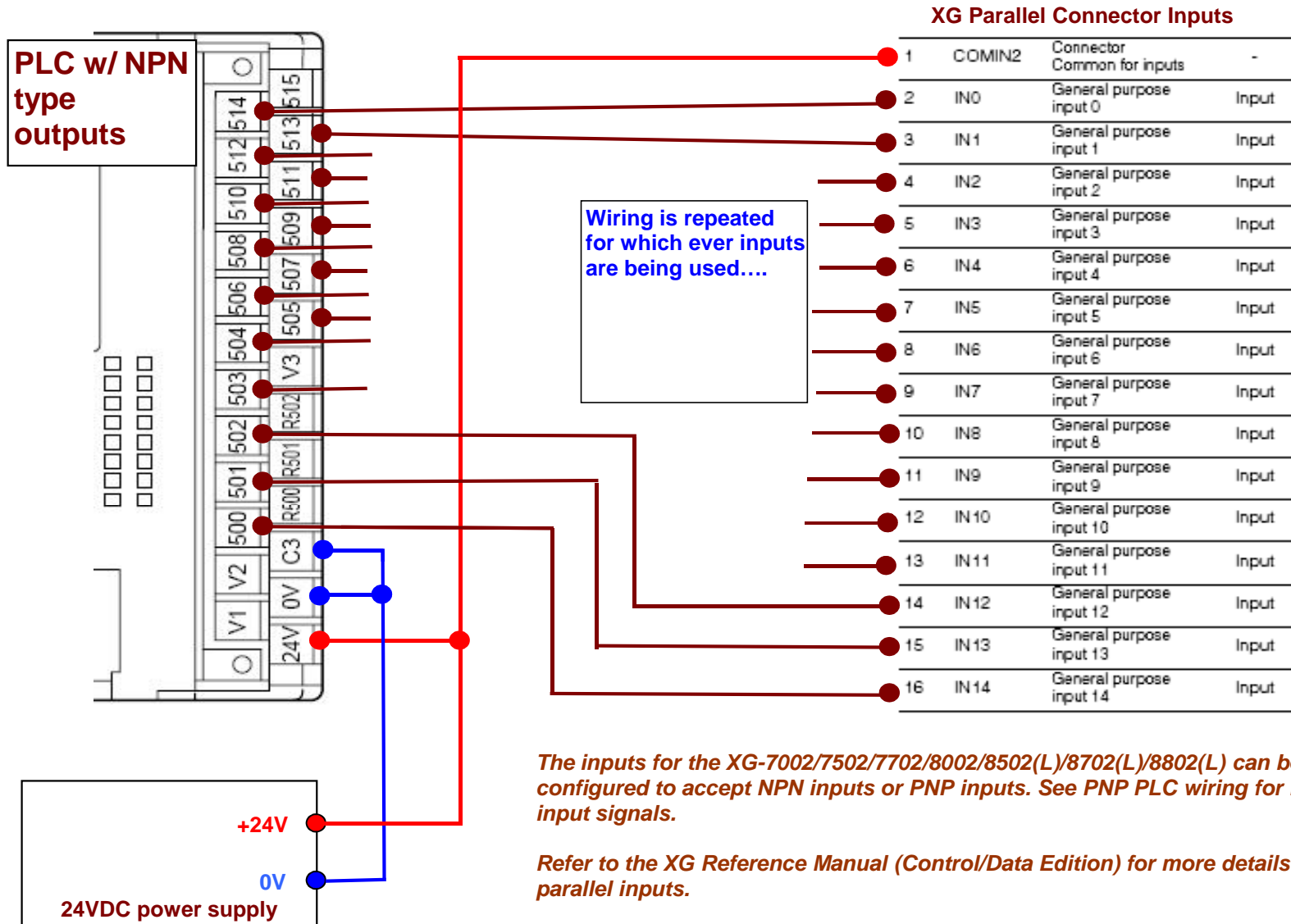
XG-7002/7502/7702/8002/8502(L)/8702(L)/8802(L) - Wiring Parallel Connector Outputs to Relays



XG-7002/7502/7702/8002/8502(L)/8702(L)/8802(L) - Wiring Parallel Connector Outputs to PLC



Wiring NPN PLC Outputs to XG-7002/7502/7702/8002/8502(L)/8702(L)/8802(L) Parallel Port Inputs



Wiring PNP PLC Outputs to XG-7002/7502/7702/8002/8502(L)/8702(L)/8802(L) Parallel Port Inputs

