

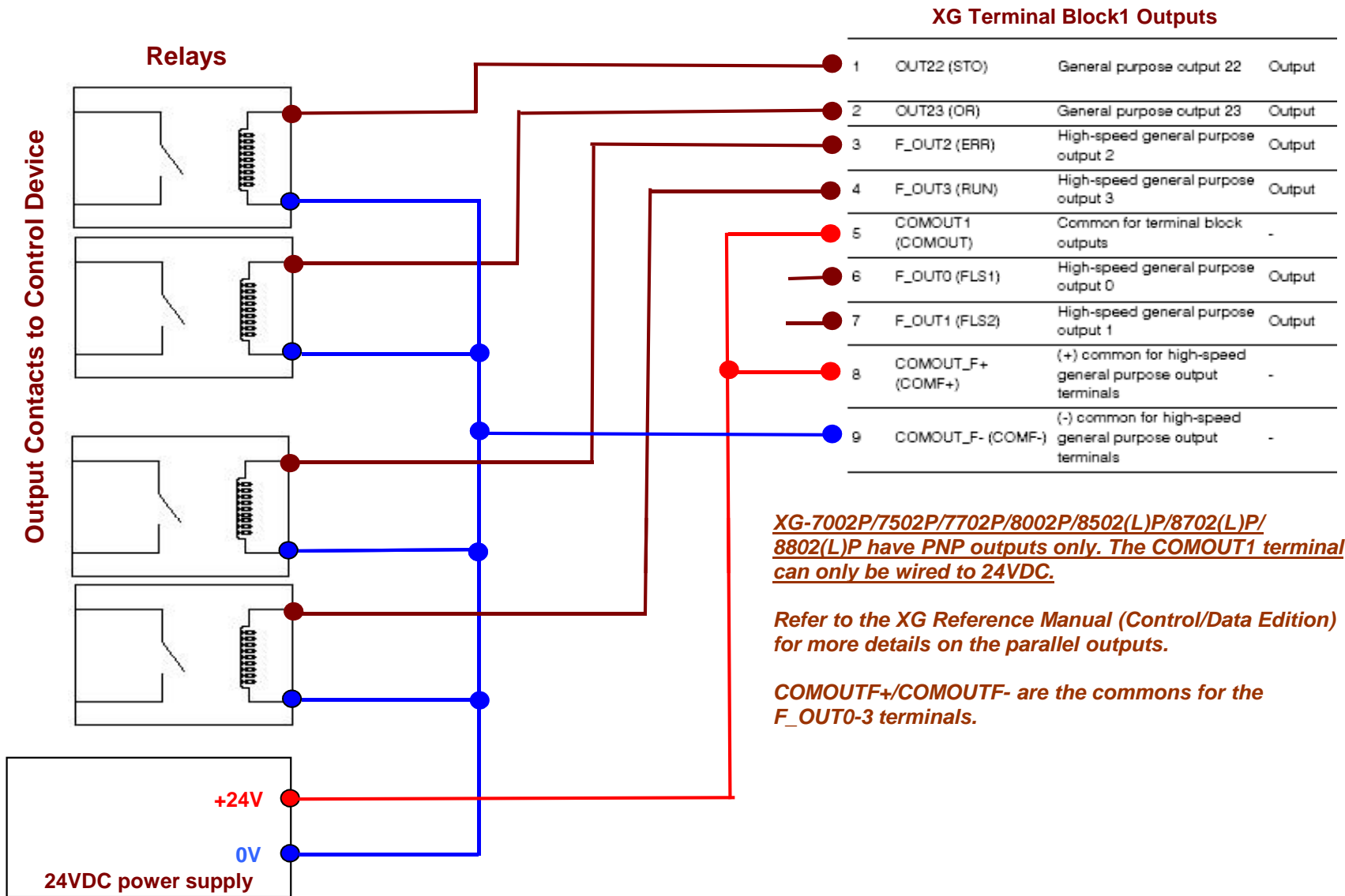


XG-Series Tech Guide

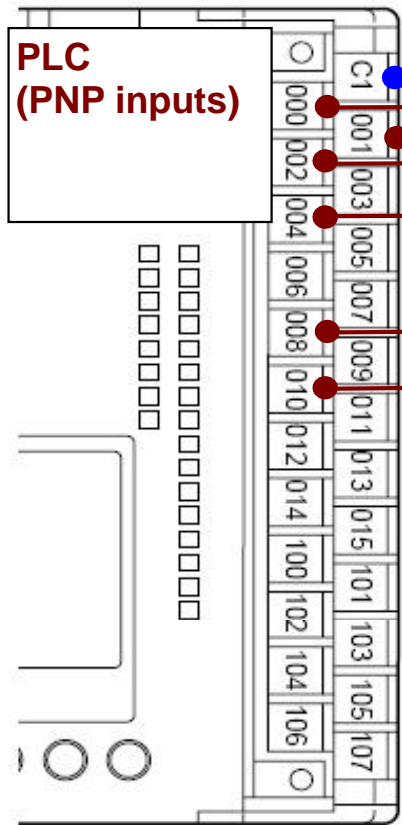
PNP Controller Wiring Examples



XG-7002P/7502P/7702P/8002P/8502(L)P/8702(L)P/8802(L)P - Wiring Terminal Block1 Outputs to Relays



XG-7002P/7502P/7702P/8002P/8502(L)P/8702(L)P/8802(L)P - Wiring Terminal Block1 Outputs to a PLC



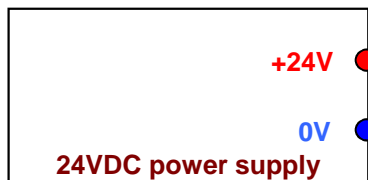
XG Terminal Block Outputs

1	OUT22 (STO)	General purpose output 22	Output
2	OUT23 (OR)	General purpose output 23	Output
3	F_OUT2 (ERR)	High-speed general purpose output 2	Output
4	F_OUT3 (RUN)	High-speed general purpose output 3	Output
5	COMOUT1 (COMOUT)	Common for terminal block outputs	-
6	F_OUT0 (FLS1)	High-speed general purpose output 0	Output
7	F_OUT1 (FLS2)	High-speed general purpose output 1	Output
8	COMOUT_F+ (COMF+)	(+) common for high-speed general purpose output terminals	-
9	COMOUT_F- (COMF-)	(-) common for high-speed general purpose output terminals	-

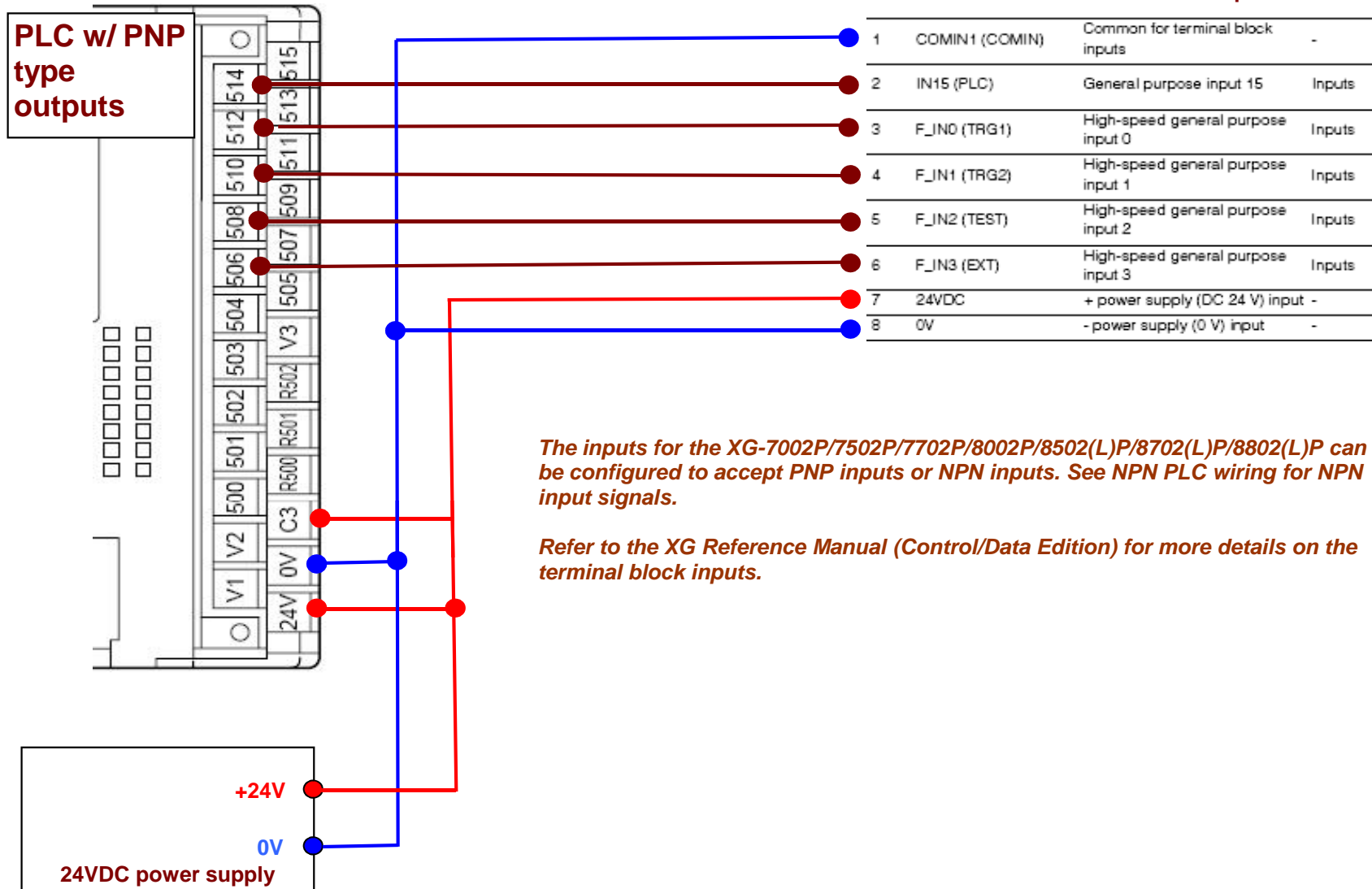
XG-7002P/7502P/7702P/8002P/8502(L)P/8702(L)P/ 8802(L)P have PNP outputs only. The COMOUT1 terminal can only be wired to 24VDC.

Refer to the XG Reference Manual (Control/Data Edition) for more details on the parallel outputs.

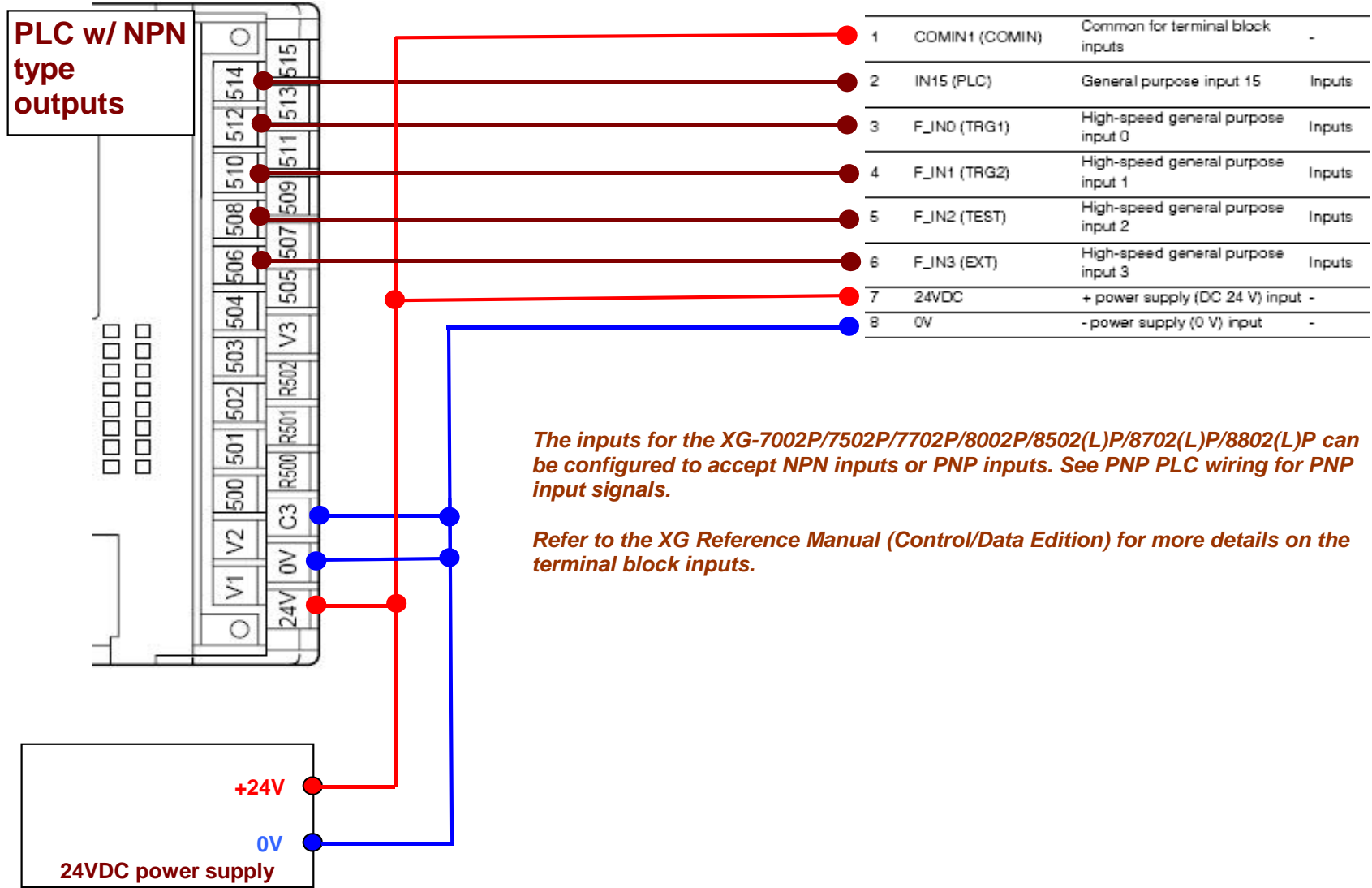
COMOUTF+/COMOUTF- are the commons for the F_OUT0-3 terminals.



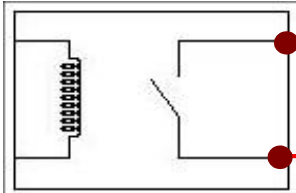
Wiring PNP PLC Outputs to XG-7002P/7502P/7702P/8002P/8502(L)P/8702(L)P/8802(L)P Terminal Block1 Inputs



Wiring NPN PLC Outputs to XG-7002P/7502P/7702P/8002P/8502(L)P/8702(L)P/8802(L)P Terminal Block1 Inputs

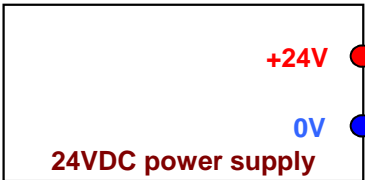


Wiring Dry Contact (PNP) to XG-7002P/7502P/7702P/8002P/8502(L)P/8702(L)P/8802(L)P Terminal Block1 Inputs



XG Terminal Block1 Connector Inputs

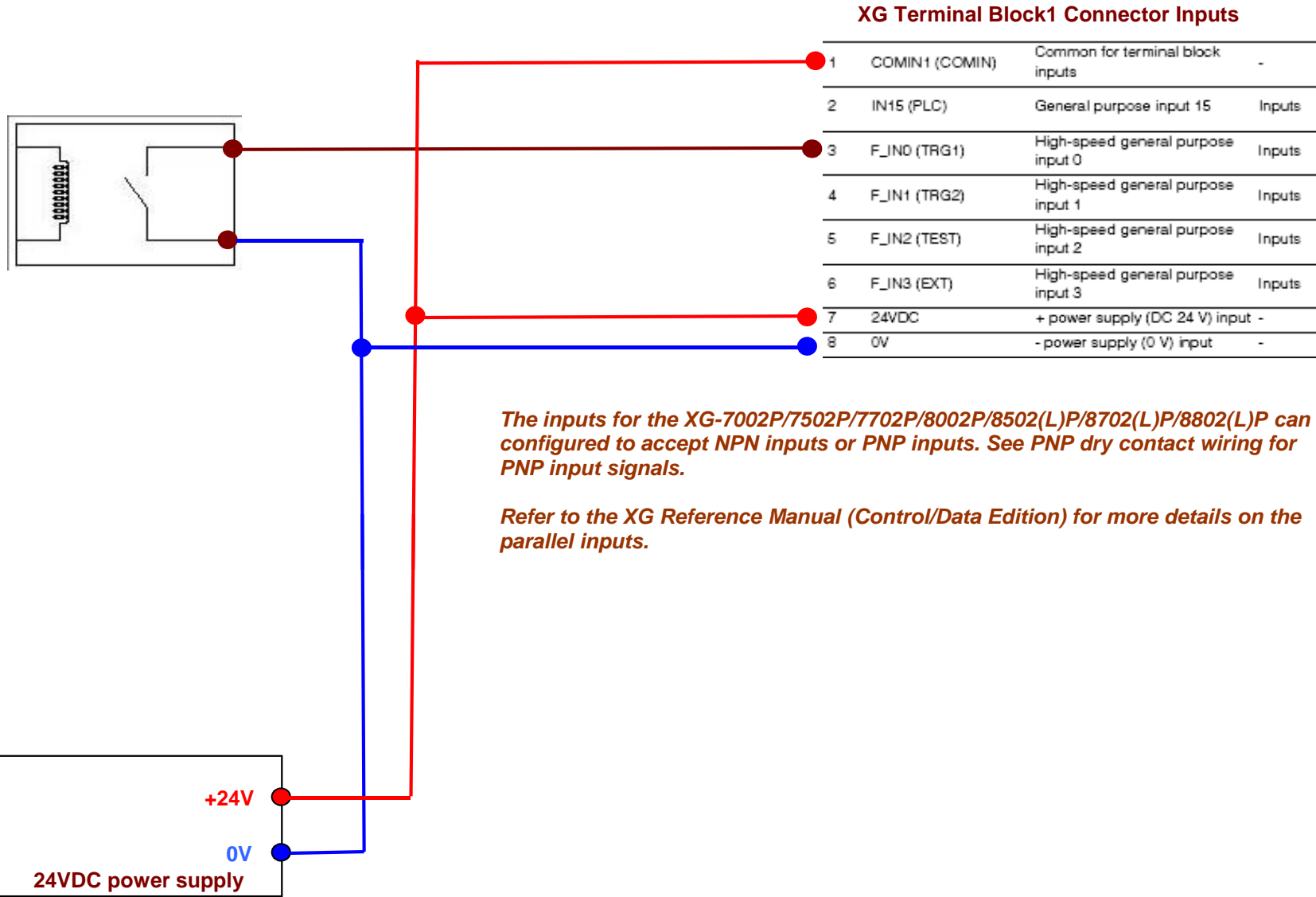
1	COMIN1 (COMIN)	Common for terminal block inputs	-
2	IN15 (PLC)	General purpose input 15	Inputs
3	F_IN0 (TRG1)	High-speed general purpose input 0	Inputs
4	F_IN1 (TRG2)	High-speed general purpose input 1	Inputs
5	F_IN2 (TEST)	High-speed general purpose input 2	Inputs
6	F_IN3 (EXT)	High-speed general purpose input 3	Inputs
7	24VDC	+ power supply (DC 24 V) input	-
8	0V	- power supply (0 V) input	-



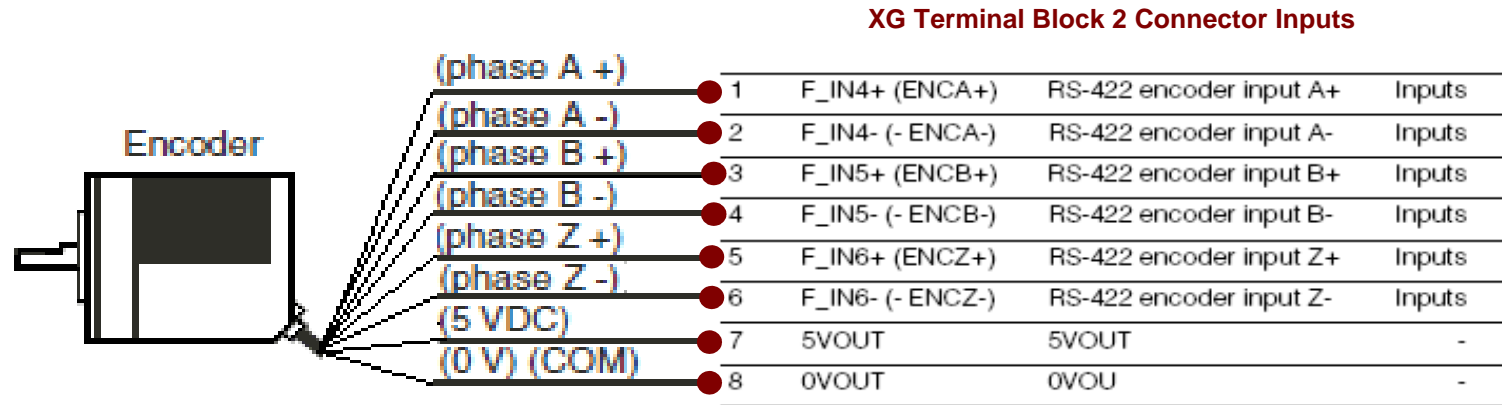
The inputs for the XG-7002P/7502P/7702P/8002P/8502(L)P/8702(L)P/8802(L)P can be configured to accept PNP inputs or NPN inputs. See NPN dry contact wiring for NPN input signals.

Refer to the XG Reference Manual (Control/Data Edition) for more details on the parallel inputs.

Wiring Dry Contact (NPN) to XG-7002P/7502P/7702P/8002P/8502(L)P/8702(L)P/8802(L)P Terminal Block1 Inputs



Wiring Input Terminal Block2 - XG-8502LP/8702LP/8802LP Only

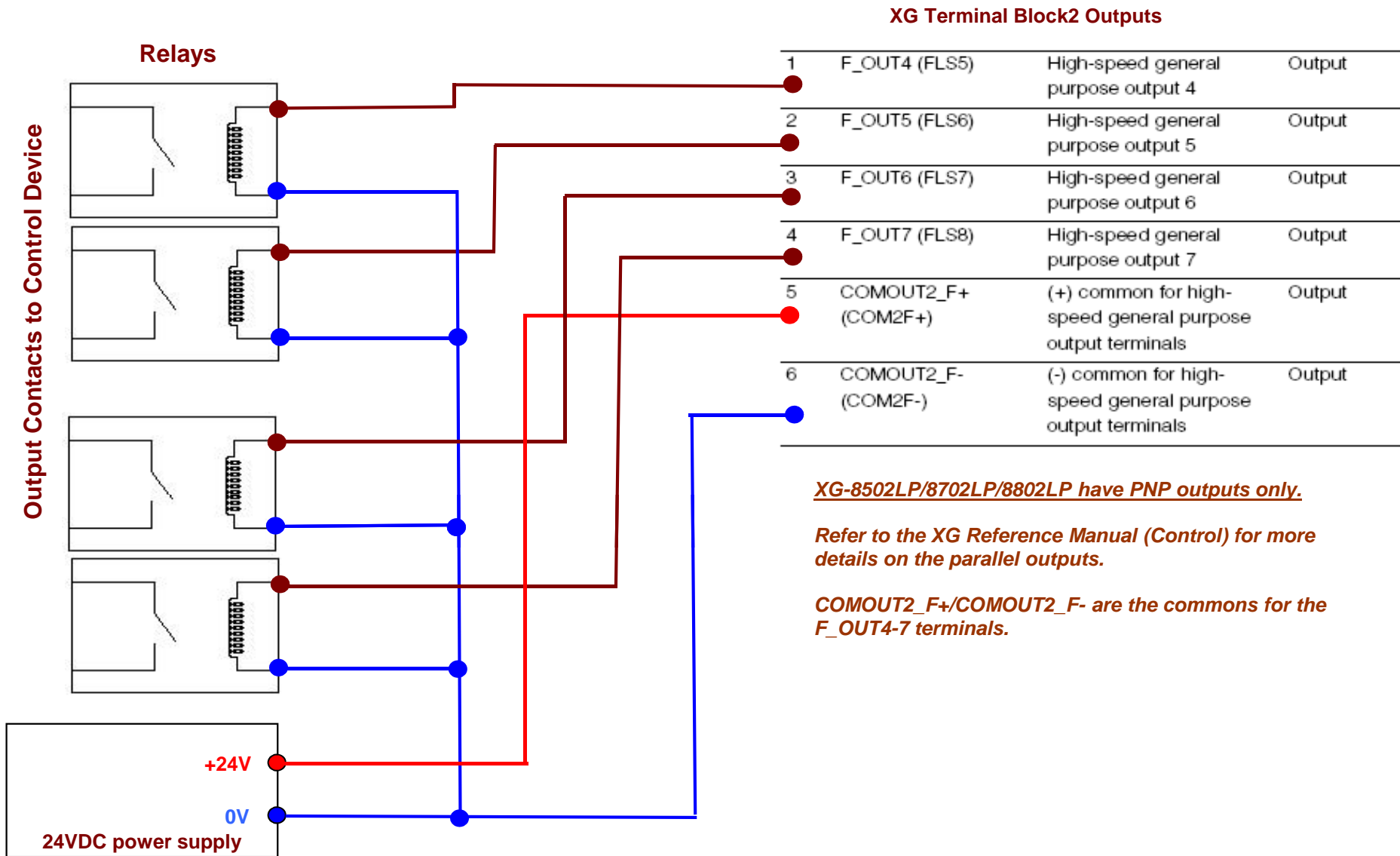


Terminal Block Input2 is a dedicated input block for a RS-422 Line Driver encoder only. These terminals cannot be re-assigned to any other purpose.

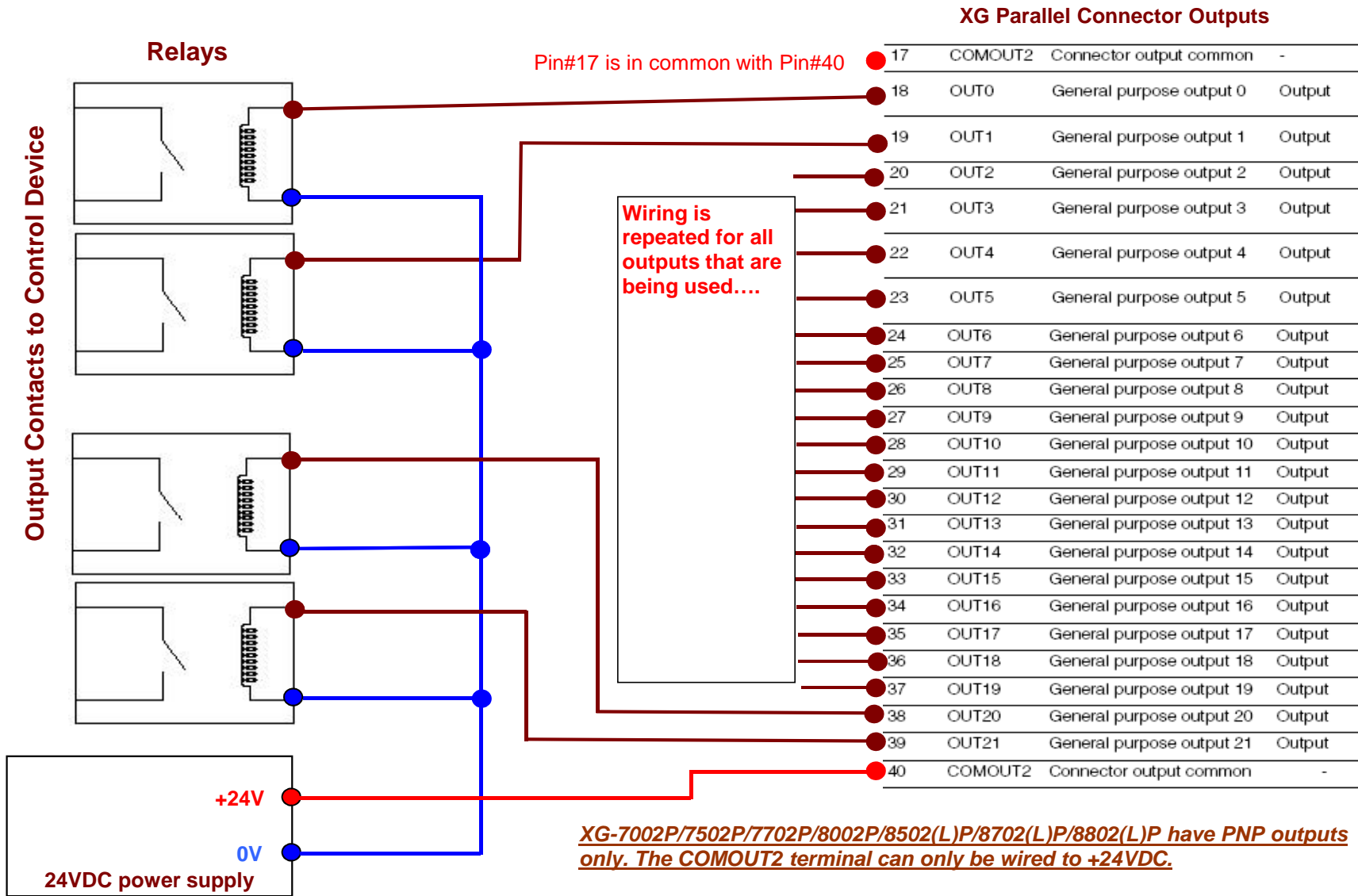
The wiring colors depend on the brand of encoder being used. Consult the specification for the encoder to confirm the details.

The 5VDC output is limited to 150mA maximum. If more current is required, use an external 5VDC power supply for the encoder. Be sure to connect the encoder shield to F.G.

XG-8502LP/8702LP/8802LP - Wiring Terminal Block2 Outputs to Relays



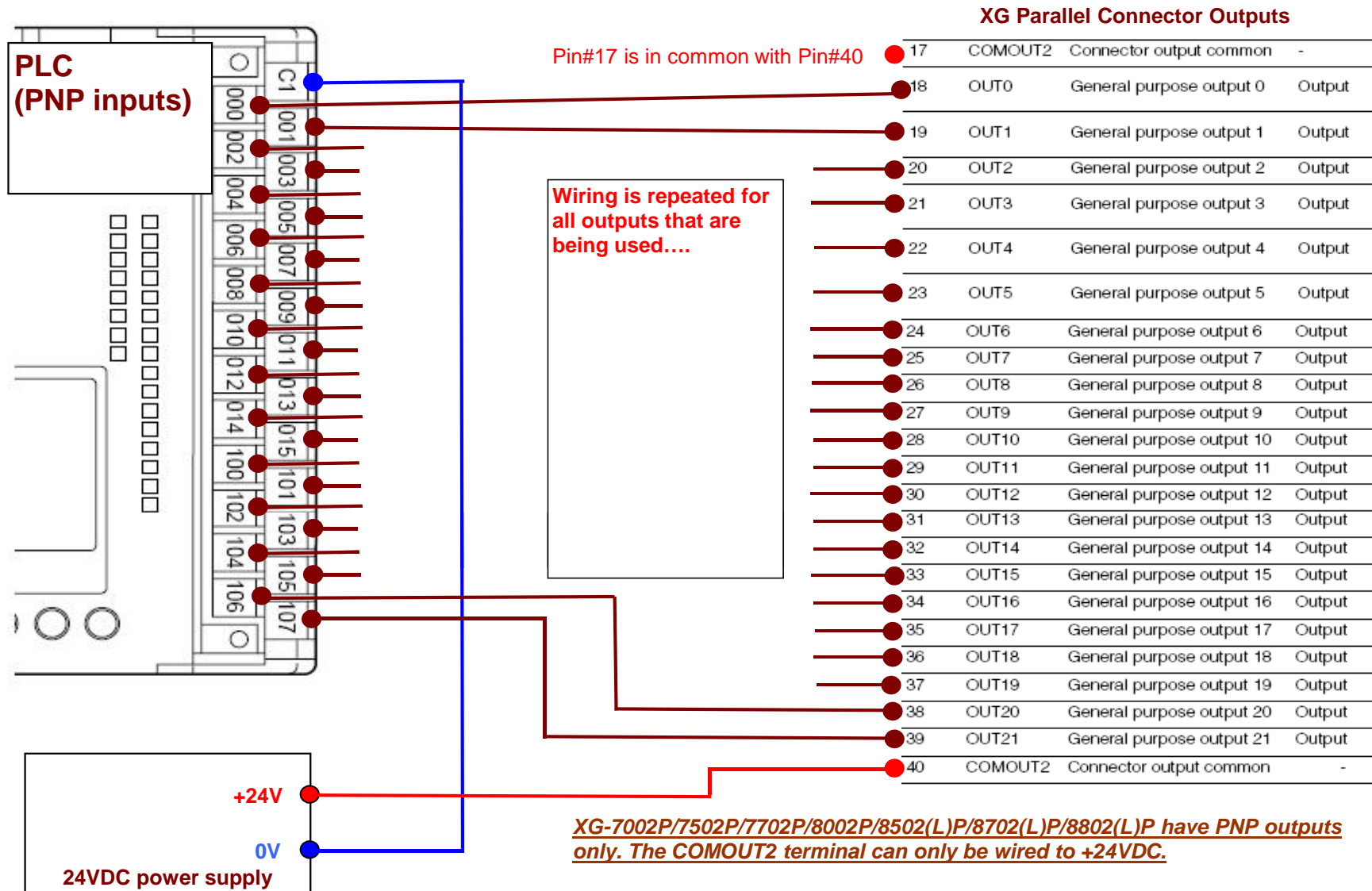
XG-7002P/7502P/7702P/8002P/8502(L)P/8702(L)P/8802(L)P - Wiring Parallel Connector Outputs to Relays



XG-7002P/7502P/7702P/8002P/8502(L)P/8702(L)P/8802(L)P have PNP outputs only. The COMOUT2 terminal can only be wired to +24VDC.

Refer to the XG Reference Manual (Control/Data Edition) for more details on the parallel outputs.

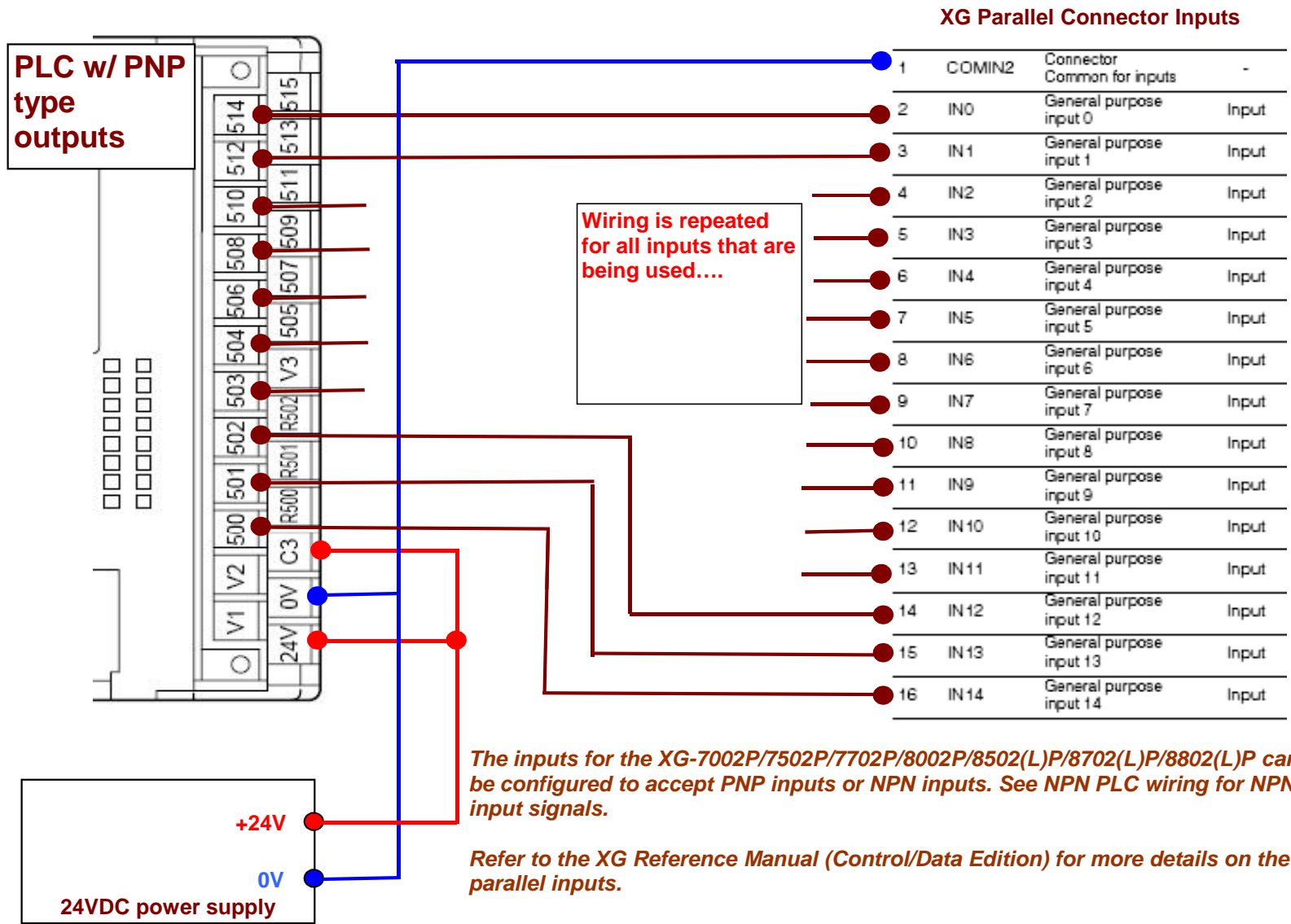
XG-7002P/7502P/7702P/8002P/8502(L)P/8702(L)P/8802(L)P - Wiring Parallel Connector Outputs to a PLC



XG-7002P/7502P/7702P/8002P/8502(L)P/8702(L)P/8802(L)P have PNP outputs only. The COMOUT2 terminal can only be wired to +24VDC.

Refer to the XG Reference Manual (Control/Data Edition) for more details on the parallel outputs.

Wiring PNP PLC Outputs to XG-7002P/7502P/7702P/8002P/8502(L)P/8702(L)P/8802(L)P Parallel Port Inputs



Wiring NPN PLC Outputs to XG-7002P/7502P/7702P/8002P/8502(L)P/8702(L)P/8802(L)P Parallel Port Inputs

